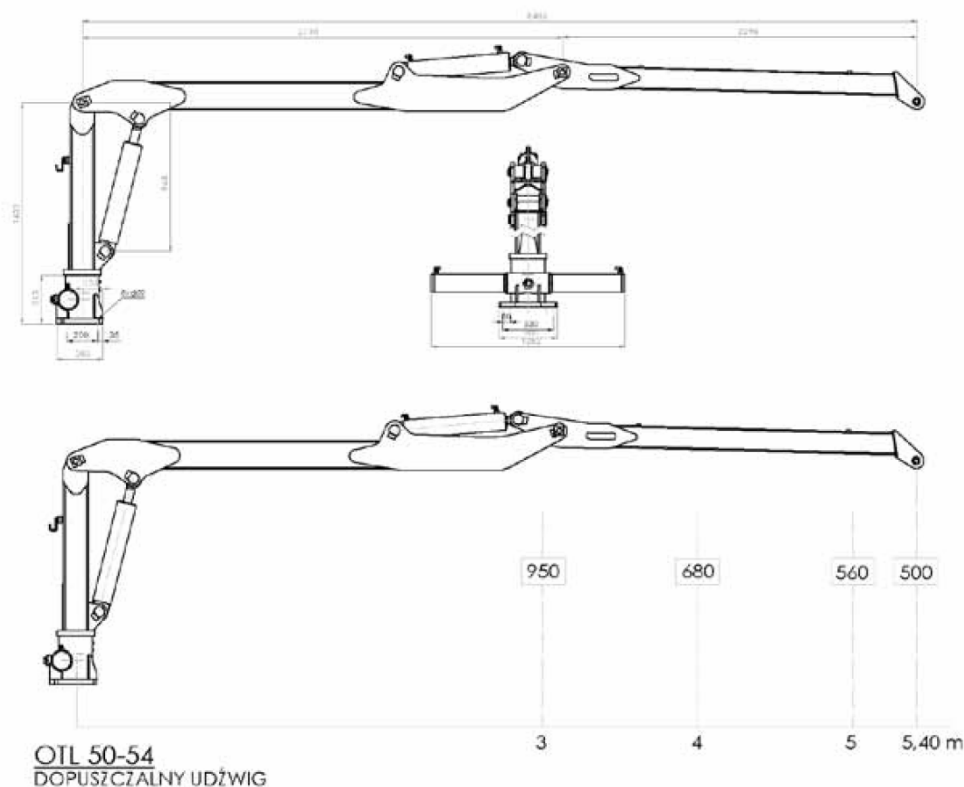




## 6.10 HYDRAULIC TIMBER CRANE OTL 54-50



**OTL 54-50 crane** has been designed for performing technological works on forest areas during loading and unloading timber on forwarding and transportation vehicles. The crane is adapted to:

- attachment to an assembly plate of a loader or stabilizers improving stability of the set during work,
- work with tractors equipped with external hydraulic connectors or other system of hydraulic supply of specific parameters.

OTL 54-50 crane is to be mounted on trailers of 7000 kg payload. The construction of the trailer should provide a proper strength together with stabilizers – should provide stability during work.

The crane is for performing forestry (or agricultural) works. It is equipped with a timber grapple. It can be intended for ordinary loading and unloading works and it is forbidden to assemble a lifting hook at the end of the crane's arm.

### TECHNICAL PARAMETERS

PARAMETER	DATA
Lifting torque:	
- Gross	32,0 kNm
- Net	26,5 kNm
Outreach:	
- Basic	5,40 m
- Maximum	5,40 m
Lifting capacity:	
- @ 4,0 m net	680 kg
- @ 5,0 m net	560 kg
Slewing torque	7,0 kNm
Slewing angle	380°
Rotator torque	780 Nm
Rotator angle	Continuous
Grapple	
- Gripping area tip to tip	0,18 m <sup>2</sup>
- Gripping width	218 / 252 mm
- Maximum opening	1100 mm
- Minimum gripping diameter	Ø 120 mm
Grapple weight with link and rotator	109 kg
Total weight (with grapple, link and rotator)	729,5 kg
Working oil pressure	160 bar / 16,0 MPa
Recommended oil flow	30-50 L/min