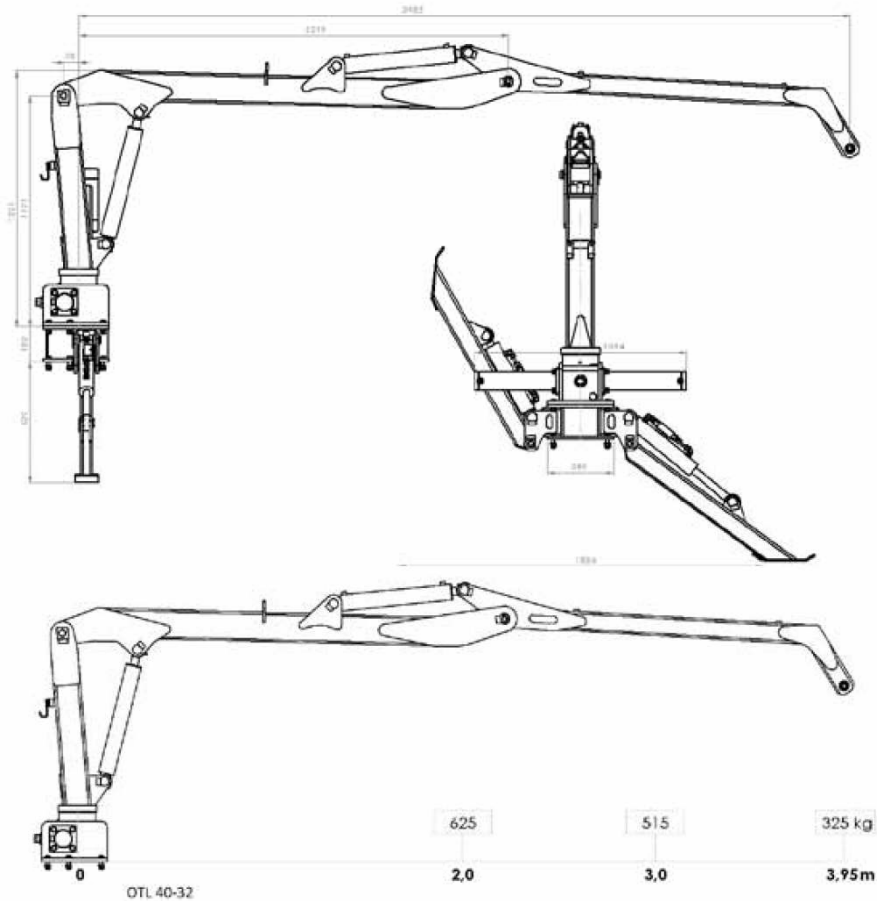




6.7 HYDRAULIC TIMBER CRANE OTL 40-32



OTL 40-32 crane has been designed for performing technological works on forest areas during loading and unloading timber on forwarding and transportation vehicles. The crane is adapted to:

- attachment to assembly plate of a loader or stabilizers improving stability of the set during work,
- work with tractors equipped with external hydraulic connectors or other system of hydraulic supply of specific parameters.

TECHNICAL PARAMETERS

PARAMETER	DATA
Lifting torque:	
- Gross	16,8 kNm
- Net	12,8 kNm
Outreach:	
- Basic	3,95 m
- Maximum	3,95 m
Lifting capacity:	
- @ 2,0 m net	625 kg
- @ 3,0 m net	515 kg
Slewing torque	8,0 kNm
Slewing angle	380°
Rotator torque	780 Nm
Rotator angle	Continuous
Grapple	
- Gripping area tip to tip	0,10 m ²
- Gripping width	198 / 232 mm
- Maximum opening	816 mm
- Minimum gripping diameter	Ø 25 mm
Grapple weight with link and rotator	85 kg
Total weight (with grapple, link and rotator)	580 kg
Working oil pressure	160 bar / 16,0 MPa
Recommended oil flow	20-40 L/min